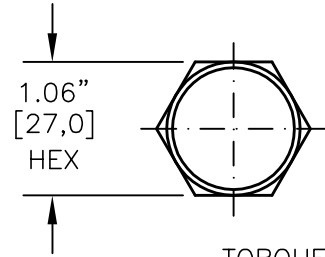
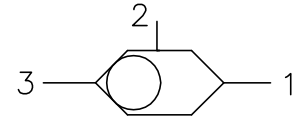
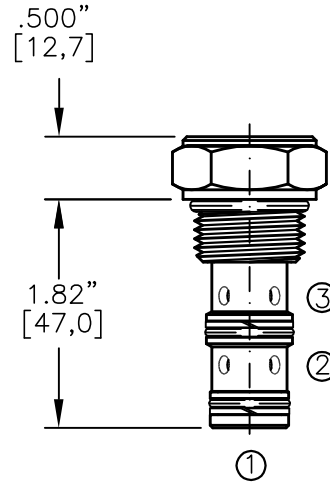
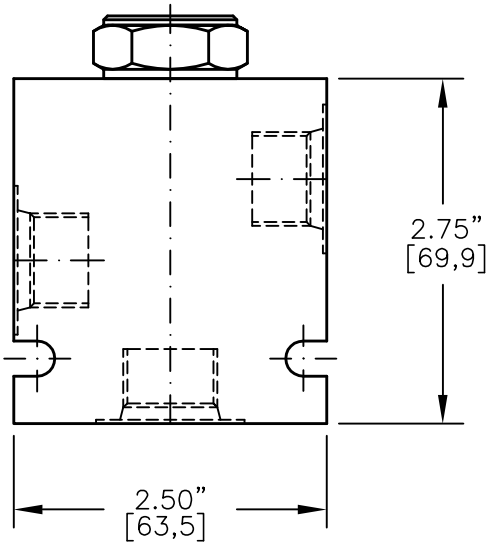




SHUTTLE VALVE TWO-POSITION, THREE-WAY, BALL TYPE.



TORQUE to 55/60 Ft-Lb.
[74/81 N-m]

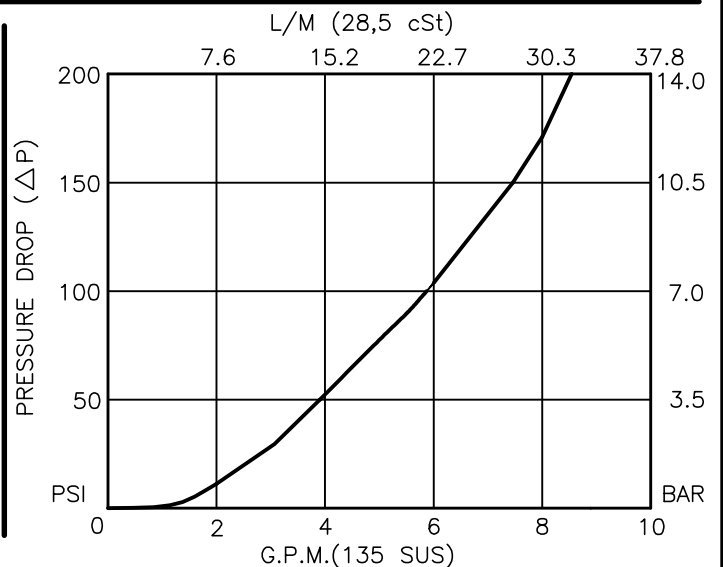


FOR ALUMINUM OR STEEL VALVE HOUSING CONFIGURATIONS SEE PAGE 0-032.1

BDSV-10-X-3-X-00

BASIC _____
 SIZE _____
 10 = 7/8"-14 UNF
 SEALS _____
 N = BUNA "N"
 V = VITON
 STYLE _____
 3 = 3 WAY

PORTS
 0 = CARTRIDGE ONLY
 02BX = G 1/4" BSPP
 03BX = G 3/8" BSPP
 06TX = SAE - #6
 08TX = SAE - #8
 "A" - ALUM. HOUSING
 "S" - STEEL HOUSING





SHUTTLE VALVE TWO-POSITION, THREE-WAY, BALL TYPE.

DESCRIPTION

This unit is a SCREW IN, CARTRIDGE TYPE, THREE PORTED, TWO POSITION, HYDRAULIC SHUTTLE VALVE.

OPERATIONS

This valve senses the higher of the two input pressures port #1 or #3 and routes it to the output port #2.

FEATURES AND BENEFITS

A steel ball and a sharp steel seat assures rugged and reliable performance.

All external carbon steel parts are plated for longer life against the elements.

All cartridge valves are 100% functionally tested.

Industry common cavity.

SPECIFICATIONS

OPERATING PRESSURE: 5,000 PSI [350 Bar]

PROOF PRESSURE: 10,000 PSI [700 Bar]

FLOW: 6.0 GPM [23 l/m] nominal. See performance chart.

INTERNAL LEAKAGE: 5 drops/min maximum at 5,000 PSI.

VALVE HOUSINGS: 2500 PSI [175 Bar] = Aluminum - Anodized.

5000 PSI [350 Bar] = Steel - Unplated.

OPERATING TEMPERATURE: -40° to +250° F. [-40° to +120° C.]

OPERATING MEDIA: All general purpose hydraulic fluids such as

MIL-H-5606, SAE-#10, SAE-#20, etc.

INSTALLATION: No restriction.

FILTRATION: 25 microns or better.

SEAL KIT NUMBER: SKN-1031 for buna "n".

SKV-1031 for viton.

WEIGHT: 0.25 lb [.11 kg] cartridge only.

VALVE CAVITY: #C1030, See Page 0-032.0.